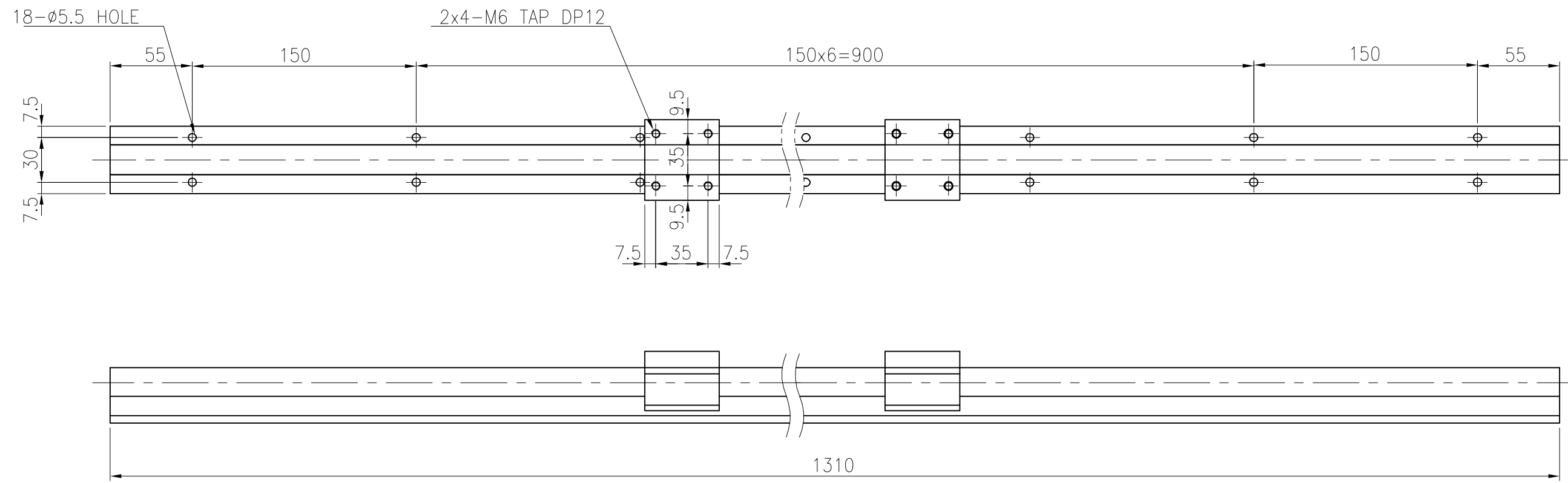
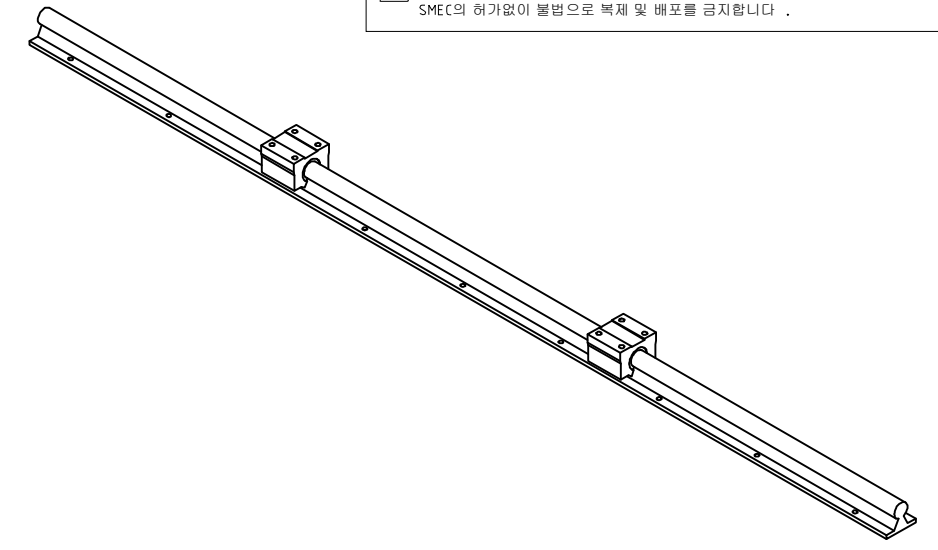


ML5270301A

부속

This drawing is proprietary to SMEC.
No part of this drawing may be reproduced without the permission of SMEC.
SMEC의 허가없이 불법으로 복제 및 배포를 금지합니다.

R & D Dept.
2014.09.29
SMEC CO., LTD.



- 주 기
1. 제조 업체 : 삼익 THK
 2. 제품 사양 : SBR 20 UU + SBS 20 - 1310L
 3. HOLE 간격 외 MAKER 사양에 준한다.

APP' D	J.H.LEE 14.03.20	GENERAL TOLERANCE (MACHINING) 0.5 ~ 6±0.1 6 ~ 30±0.2 30 ~ 120±0.3 120 ~ 315±0.5 315~1000±0.8 1000~2000±1.2	HEAT TREATMENT	WEIGHT (kg)	 UNIT ASS'Y PL800VAW MC COVER ASS'Y
REV' D	/		MATERIAL	Q' TY	
CHE' D	J.M.KIM 14.03.20	UNLESS OTHERWISE SPECIFICATION CHAMP. & CONNER CO. 3, RO. 8	PLATING	SCALE	NAME UPPER RAIL ML5270301A 1/1
DES' D	Y.T.JUNG 14.03.20		PLATING	SCALE	

MARK	REVISION	DATE	REV' D	CHE' D	M/C MODEL	PL800VAW
------	----------	------	--------	--------	--------------	----------